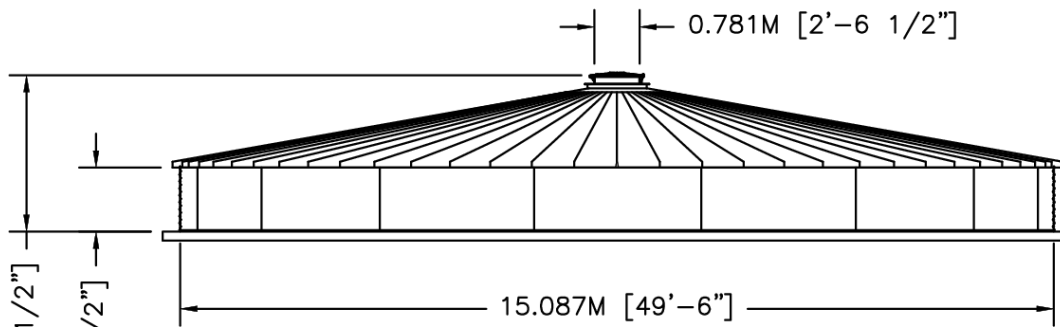


**PLAN**



**ELEVATION**



	BY	DATE	TITLE	
DWN	XXX	XX/XX/XX	WTU16-01 30"PR 10DEG V-RIB	
CKD			NOMINAL CAPACITY - 174.814 M3 [46,181 GAL]	
ENG			DWG. NO. SCT4901-LVR WTU16-01	REV. NO.
			SIZE: A	SCALE: 3/32"=1'-0"
			SHEET 1	OF 1